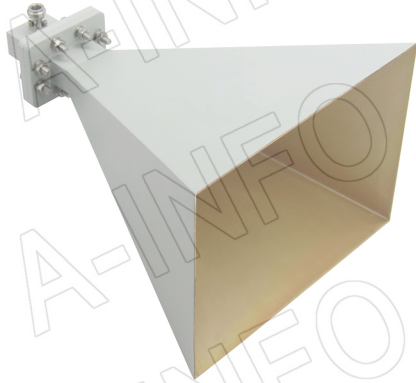


For reference only. See data sheet for the detailed specifications.

Technical Specification

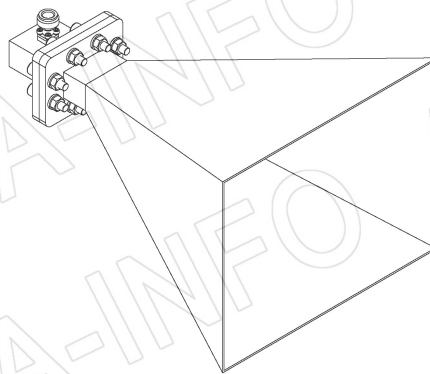
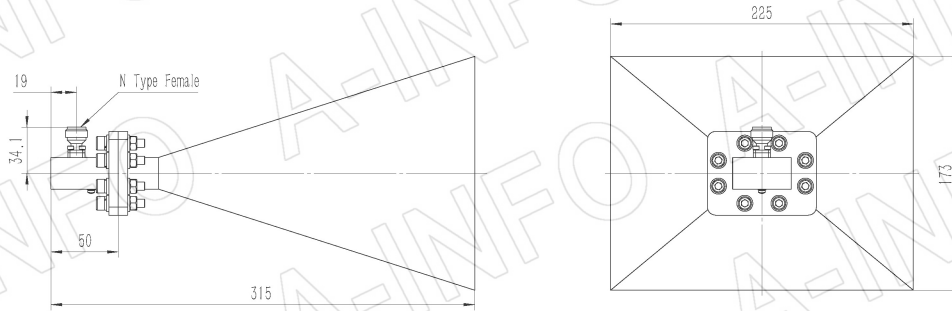


Frequency Range(GHz)	4.0 - 8.0
Gain(dBi)	20 Typ.
Polarization	Linear
3dB Beamwidth(deg)	E Plane: 21 - 12
	H Plane: 22 - 15
Cross Pol. Isolation(dB)	35 Typ.
VSWR	1.50:1 Typ.
Connector	N-Female or SMA-Female or TNC-Female or 7mm or 3.5mm-Female
Power Handling(W CW)	N-Female: 150 Max.
	SMA-Female: 50 Max.
	TNC-Female: 150 Max.
	7mm: 150 Max.
	3.5mm-Female: 50 Max.
Material	Al
Finish	Chemical Conversion Coating, Gray Paint
Size(mm)	225 x 173 x 315
Net Weight(Kg)	1.0 Around

Outline Drawing (Size: mm)

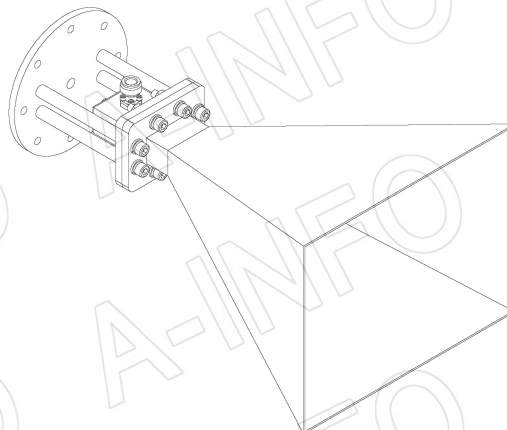
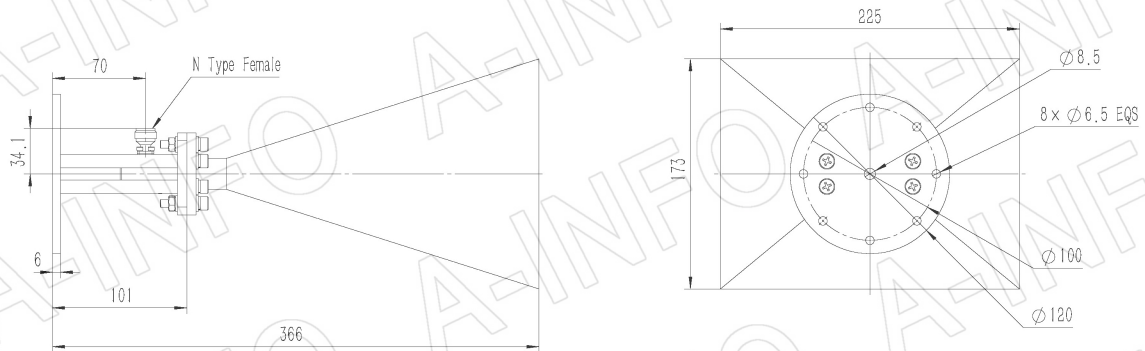
N-Female Output (P/N: LB-OH-159-20-C-NF)

For SMA-Female, TNC- Female, 7mm or 3.5mm-Female output outline drawing, please contact A-INFO.



N-Female Output with Round Mounting Bracket (Option, P/N: LB-159-10-C-MB)

For SMA-Female, TNC- Female, 7mm or 3.5mm-Female output outline drawing, please contact A-INFO.



AINFO Inc.

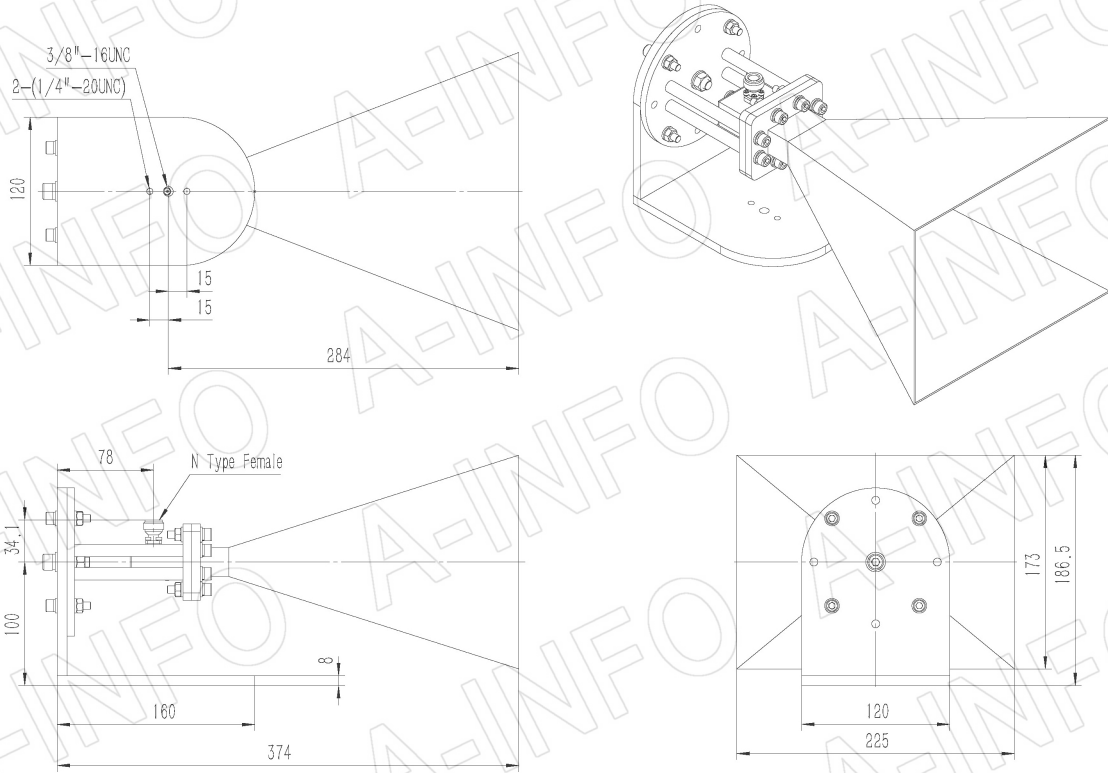
China(Beijing): Tel: (+86) 10-6266-7326,
China(Chengdu): Tel: (+86) 28-8519-2786,
USA : Tel: (+1) 949-639-9688,

(+86) 10-6266-7327 Fax: (+86) 10-6266-7379
(+86) 28-8519-3044 Fax: (+86) 28-8519-3068
(+1) 949-639-9608 Fax: (+1) 949-639-9670

Website: www.ainfoinc.com
Email: sales@ainfoinc.com

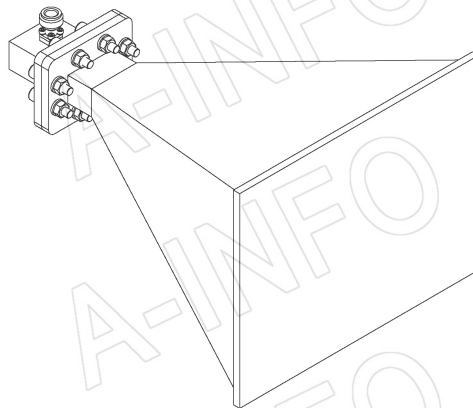
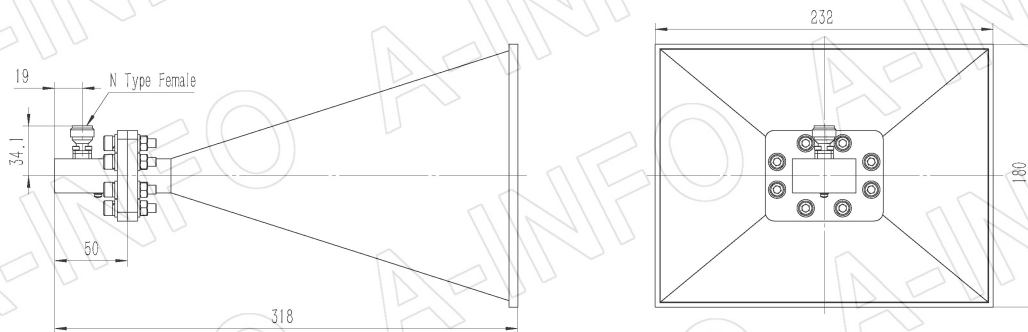
N-Female Output with L Type Mounting Bracket (Option, P/N: LB-159-10-C-MBL)

For SMA-Female, TNC- Female, 7mm or 3.5mm-Female output outline drawing, please contact A-INFO.



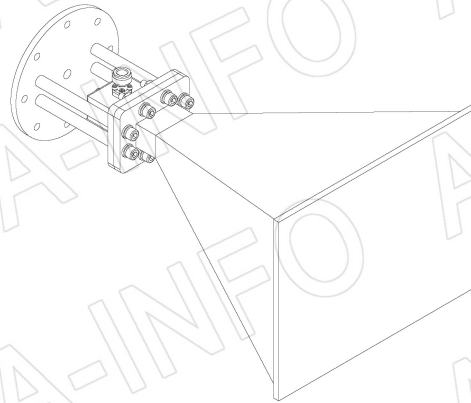
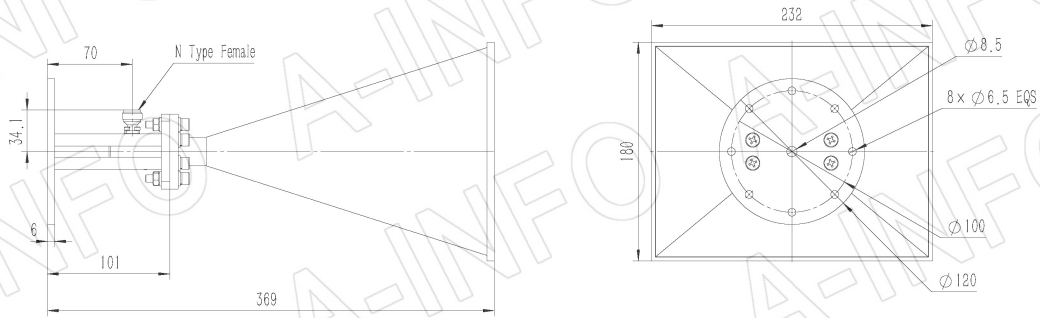
N-Female Output with Radome (Option, P/N: LB-OH-159-20-C-NFSP0, Outdoor Application)

For SMA-Female, TNC- Female, 7mm or 3.5mm-Female output outline drawing, please contact A-INFO.



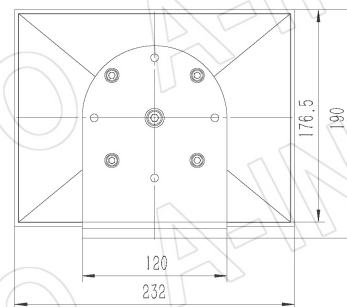
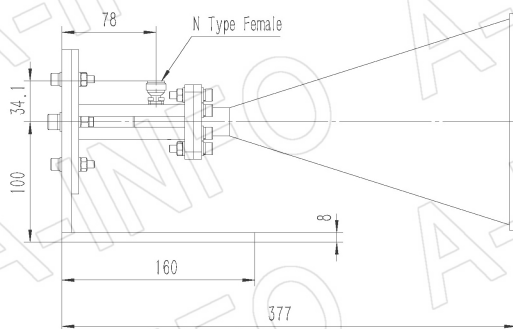
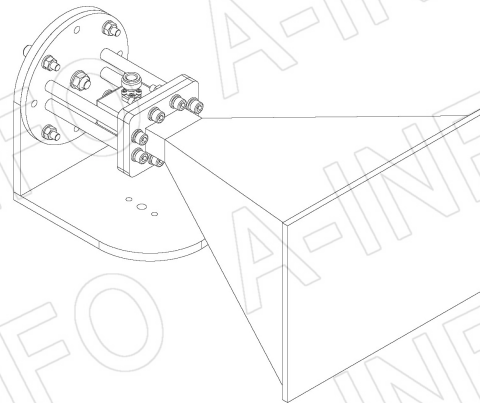
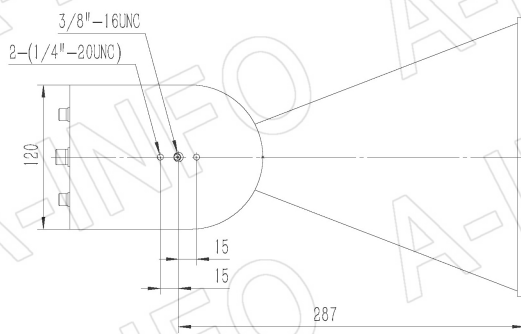
N-Female Output with Round Mounting Bracket & Radome (Option, P/N: LB-159-10-C-MB & LB-OH-159-20-C-NFSP0, Outdoor Application)

For SMA-Female, TNC- Female, 7mm or 3.5mm-Female output outline drawing, please contact A-INFO.



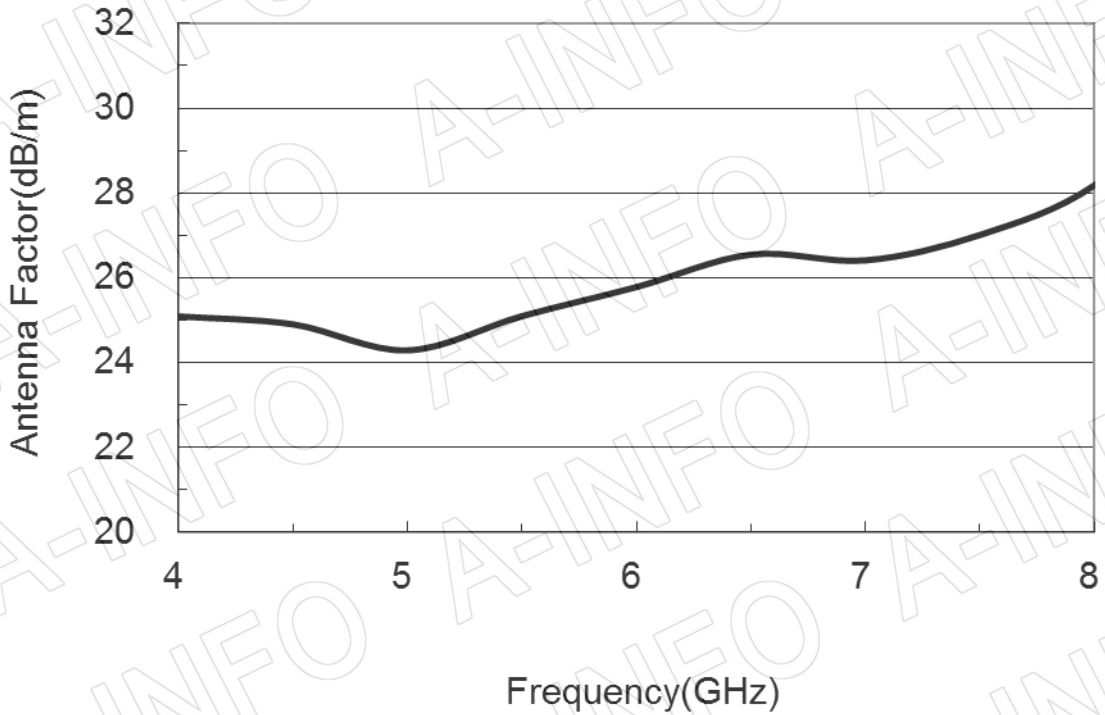
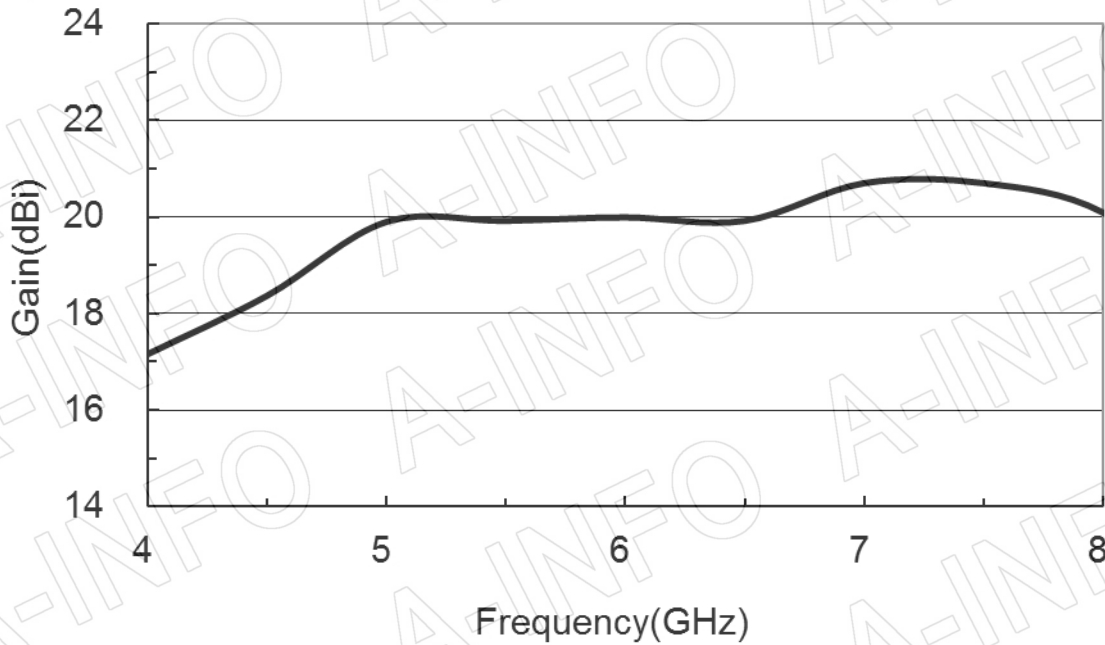
N-Female Output with L Type Mounting Bracket & Radome (Option, P/N: LB-159-10-C-MBL & LB-OH-159-20-C-NFSP0, Outdoor Application)

For SMA-Female, TNC- Female, 7mm or 3.5mm-Female output outline drawing, please contact A-INFO.

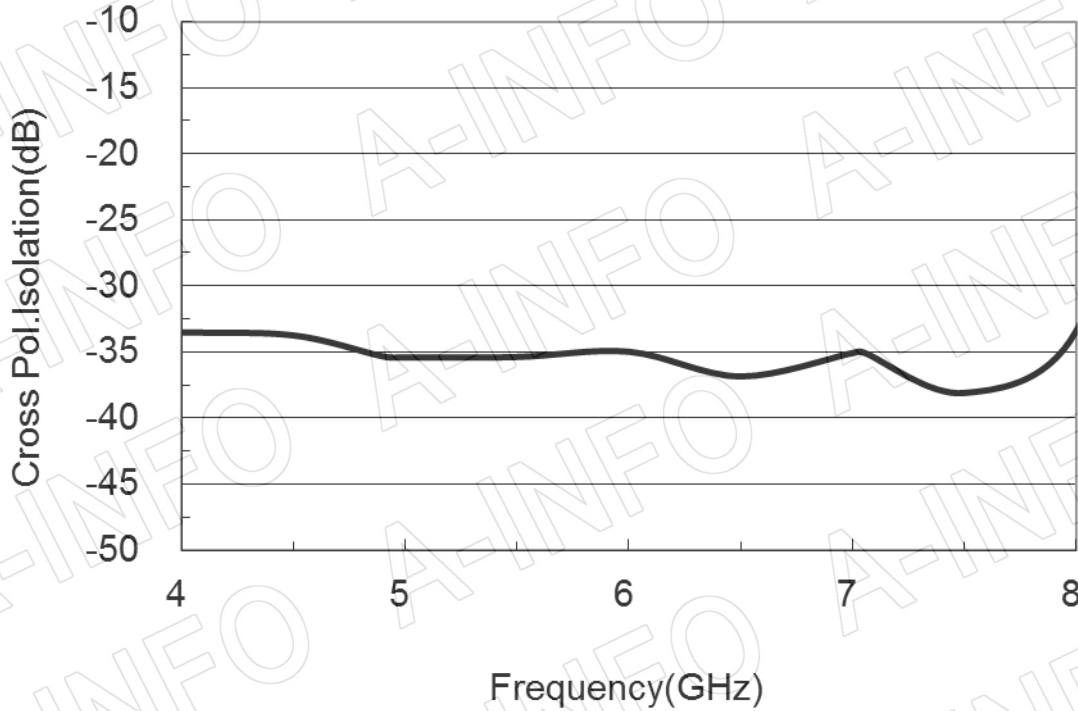


Test Results

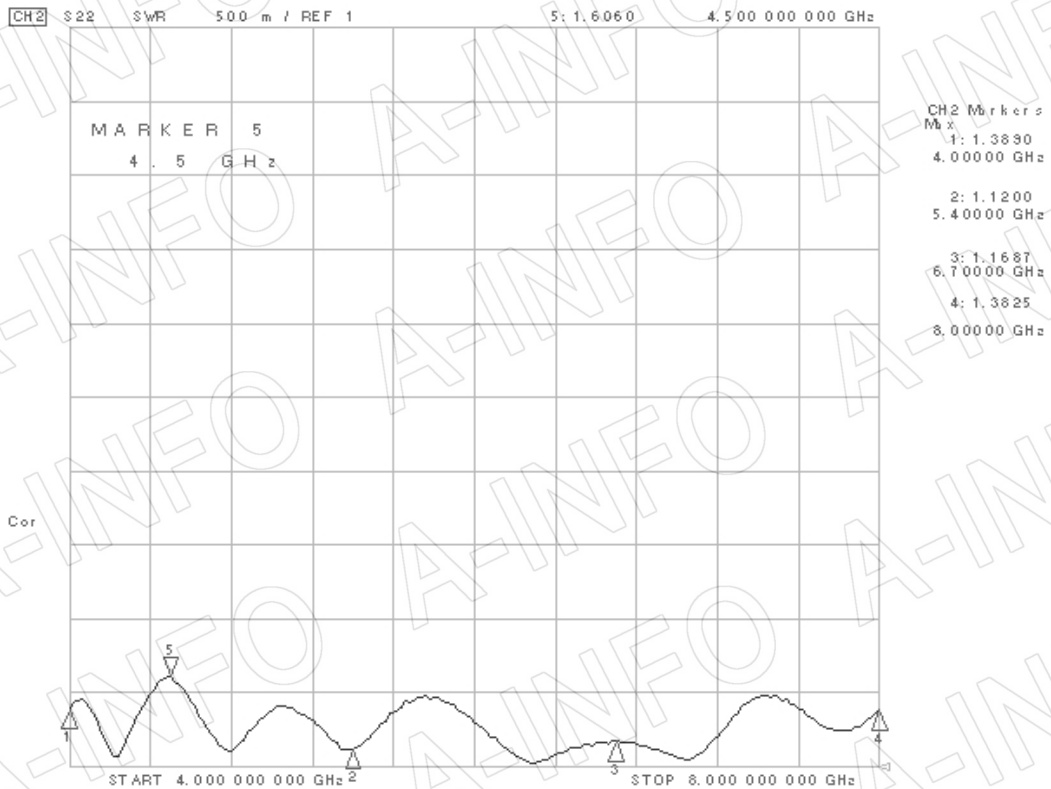
1. Gain & Antenna Factor



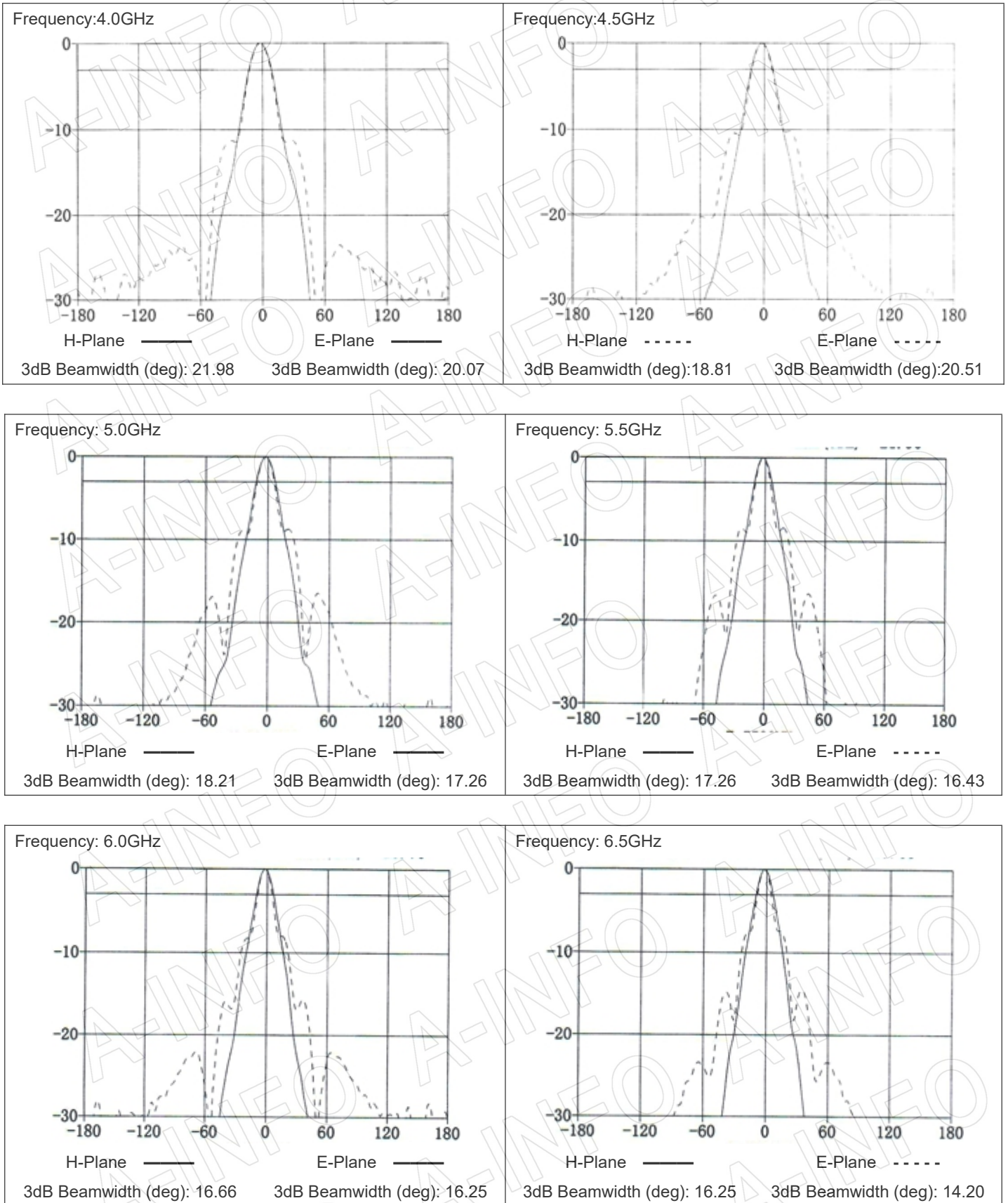
2. Cross Pol. Isolation



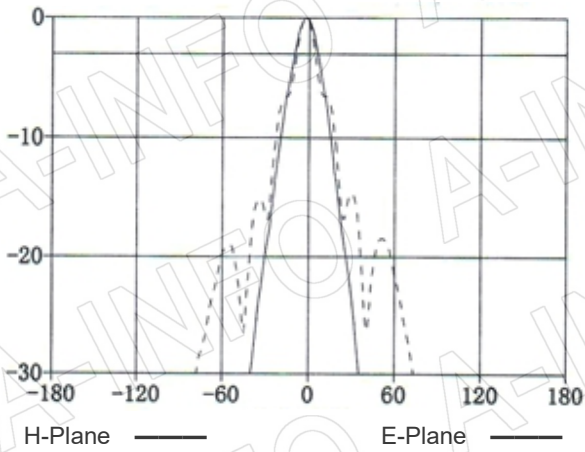
3. VSWR



4. Pattern

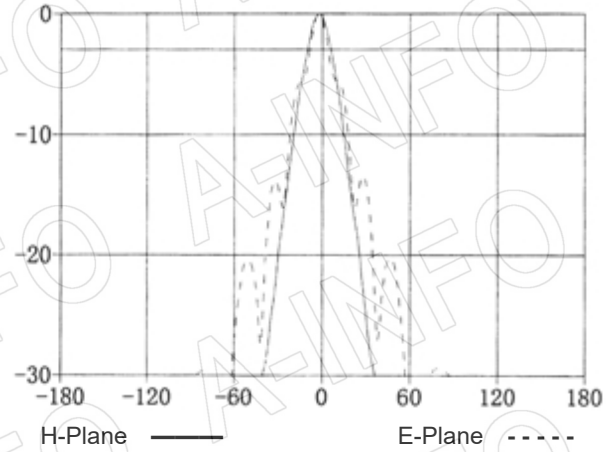


Frequency: 7.0GHz



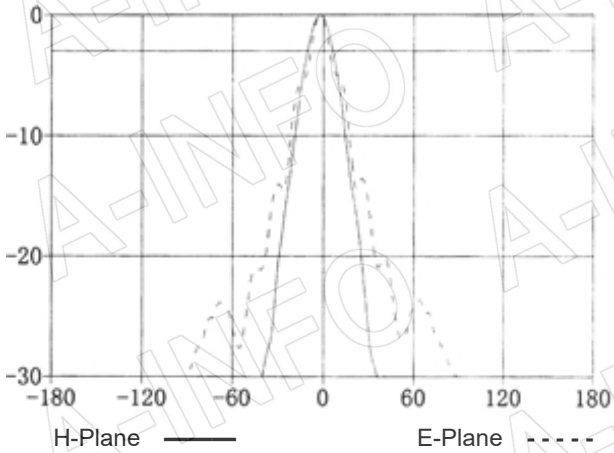
3dB Beamwidth (deg): 16.04 3dB Beamwidth (deg): 15.89

Frequency: 7.5GHz



3dB Beamwidth (deg): 15.89 3dB Beamwidth (deg): 12.86

Frequency: 8.0GHz



3dB Beamwidth (deg): 16.32 3dB Beamwidth (deg): 12.09